



## Technical Bulletin

**Control: SGL-0600**

**Application: Dual Fuel**

**Version: SGL-0600 1.02 ≥ and THM-0600 1.42 ≥**

With the latest addition in firmware the SGL-0600 will be able to control Dual Fuel applications for Heat Pump primary with gas backup. This will be usable in both primary and secondary heating applications and will allow for certain the second stage to turn off the first stage once it comes on or have both heating stages operate together.

The following settings will be found under the Special Functions menu on the THM and will detail what each of these settings do in regard to the other outputs on the SGL-0600.

- **Stage 1 Fan:** When set to ON this will allow for the G terminal to activate when W1 or Y1 comes on. If the G terminal needs to rotate when both stage 1 (W1) and stage 2 (W2) is activated this should be enabled.  
Range: OFF, ON
- **Out Switch Temp:** when the outside temperature is at or colder than this setting it will allow the second stage (W2) to come on before the Stage Delay time has elapsed.  
Range: OFF, -39F – 120F
  - This is only applicable in heating operation
    - The Outdoor temperature can be pulled from either the Internet once the SGL-0600 is on Wi-Fi and linked to the APP or by setting AUX Sensor to Outdoor and wiring a sensor to the THM-0600. (Refer to the wiring diagram).
- **Stage 1 OFF:** When set to ON this will turn off stage 1 (W1) when stage 2 (W2) comes on.
  - This is only applicable in heating operation

Each of these settings will create different parameters that will allow for the second stage to come on with that in turn can be used for controlling the dual fuel application. The second stage should be wired to W2 with the first stage to W1.

| Special Functions<br>ATHM-0012 |           |
|--------------------------------|-----------|
| Stat Type                      | Heat Only |
| THM Mode                       | Air       |
| Aux Sensor                     | None      |
| Room Offset                    | 0°        |
| Fancoil Setup                  | >         |
| Room Name Setup                | >         |
| Default Setup                  | >         |

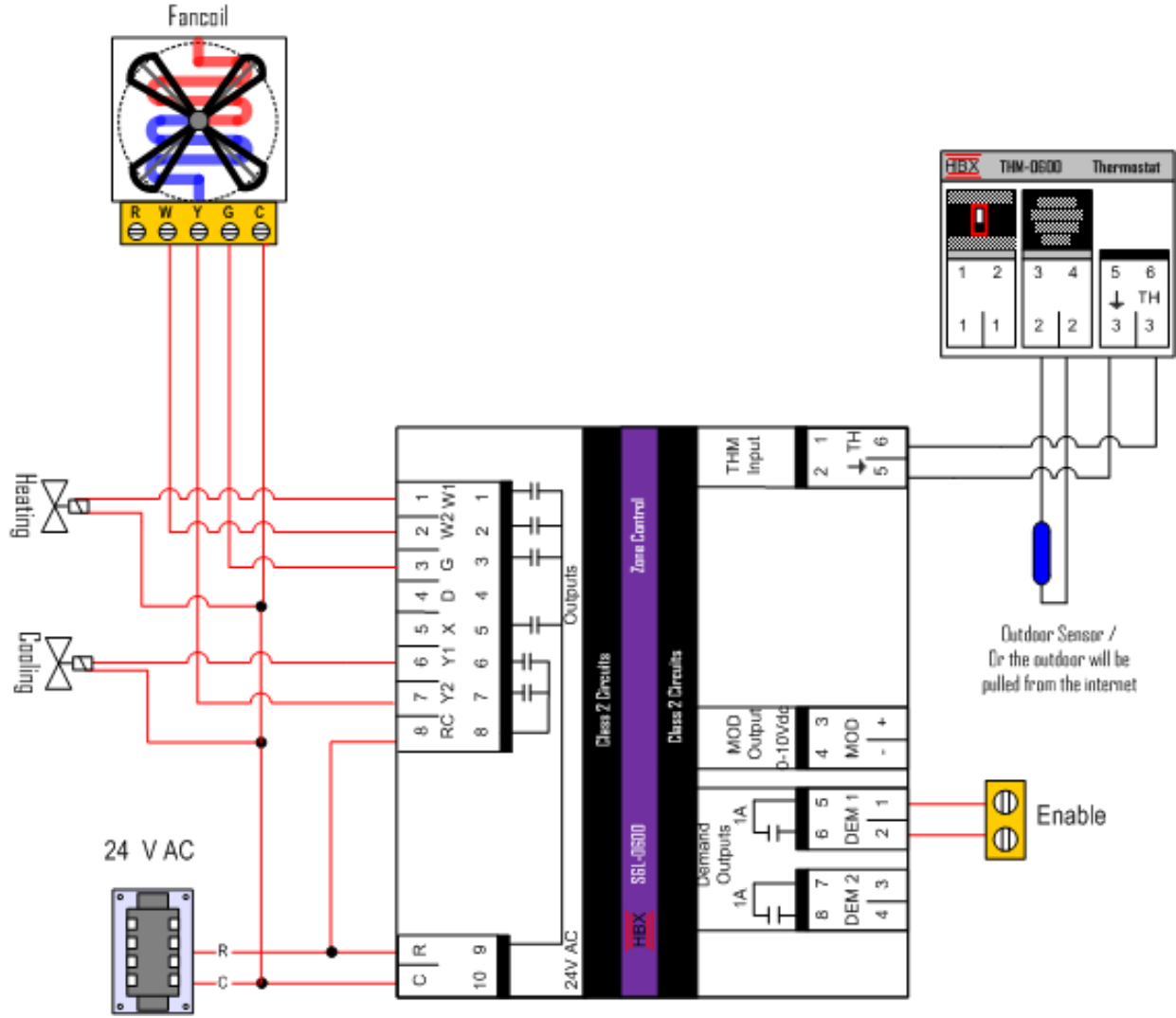
| Fancoil Setup   |        |
|-----------------|--------|
| Stage 1 Fan     | OFF    |
| Fan ON Demand   | ON     |
| Stage Delay     | 1 mins |
| Out Switch Temp | -2°    |
| Stage 1 Off     | OFF    |
| Fan Speed W     | 10%    |
| Fan Speed W2    | 25%    |

| Fancoil Setup   |     |
|-----------------|-----|
| Out Switch Temp | -2° |
| Stage 1 Off     | OFF |
| Fan Speed W     | 10% |
| Fan Speed W2    | 25% |
| Fan Speed Y1    | 30% |
| Fan Speed Y2    | 15% |
| Fan Speed G     | 60% |

### Contact Information

4516-112th Avenue SE  
Calgary, Alberta T2C 2K2  
CANADA

Phone: +1 (403) 720 0029  
Fax: +1 (403) 720 0054  
Email: info@hbxcontrols.com



### Contact Information

4516-112th Avenue SE  
 Calgary, Alberta T2C 2K2  
 CANADA

Phone: +1 (403) 720 0029  
 Fax: +1 (403) 720 0054  
 Email: info@hbxcontrols.com