



Technical Bulletin

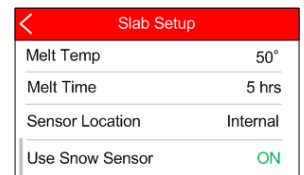
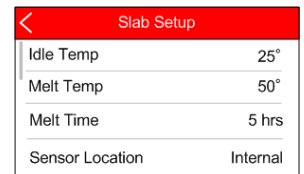
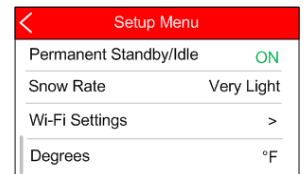
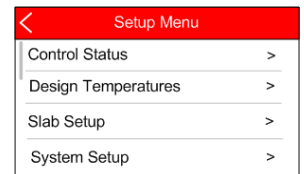
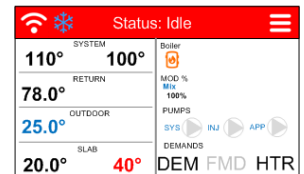
Control: SNO-0600

Application: Increased Snow Sensitivity

Version: 1.08 ≥

With the latest addition in firmware the SNO-0600 has changed the snow sensitivity to make the optical sensor more reactive. The Snow Rate under the setup menu has 4 options to select; Very Light, Light, Moderate and Heavy. Very Light will be the most reactive too Heavy as the least reactive to snowfall.

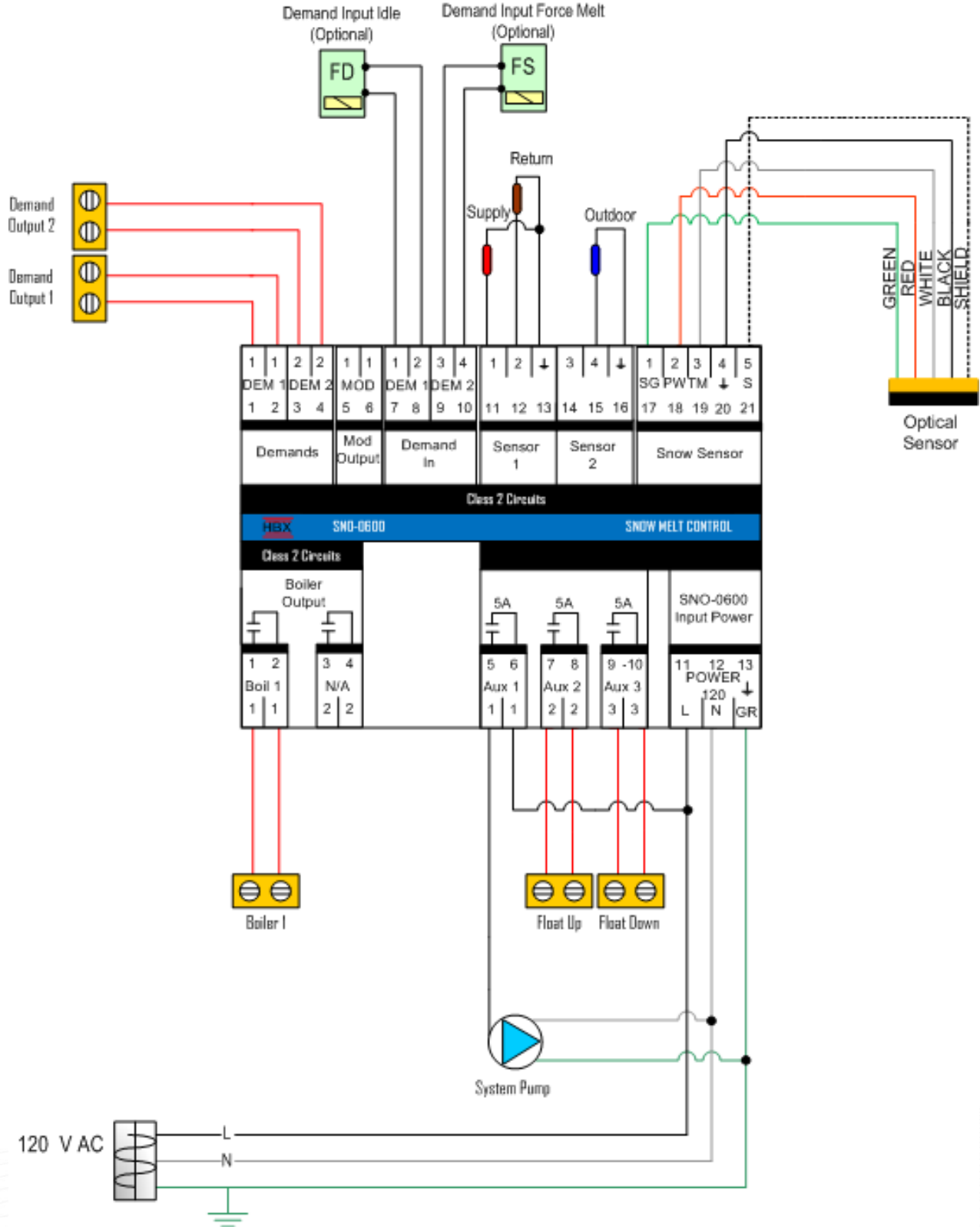
The Very Light option has been changed in that any snow rated detected once per minute over a 3 minute period will trigger a Melt Mode on the controller. This will allow for more sensitive snowfall detection than on previous versions. The Light setting has been changed to have the same sensitivity as Very Light in earlier versions. When testing the optical sensor (SNO-0110) the snow rate should be set to Light.



Contact Information

4516-112th Avenue SE
Calgary, Alberta T2C 2K2
CANADA

Phone: +1 (403) 720 0029
Fax: +1 (403) 720 0054
Email: info@hbxcontrols.com



Contact Information

4516-112th Avenue SE
 Calgary, Alberta T2C 2K2
 CANADA

Phone: +1 (403) 720 0029
 Fax: +1 (403) 720 0054
 Email: info@hbxcontrols.com