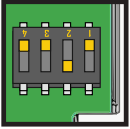




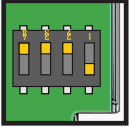


## WAV-0210 Application Examples

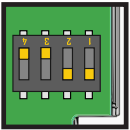
### Dip Switch Settings



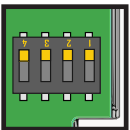
Dip 1 ON only: 500 Ohms



Dip 2 ON only: 5k Ohms



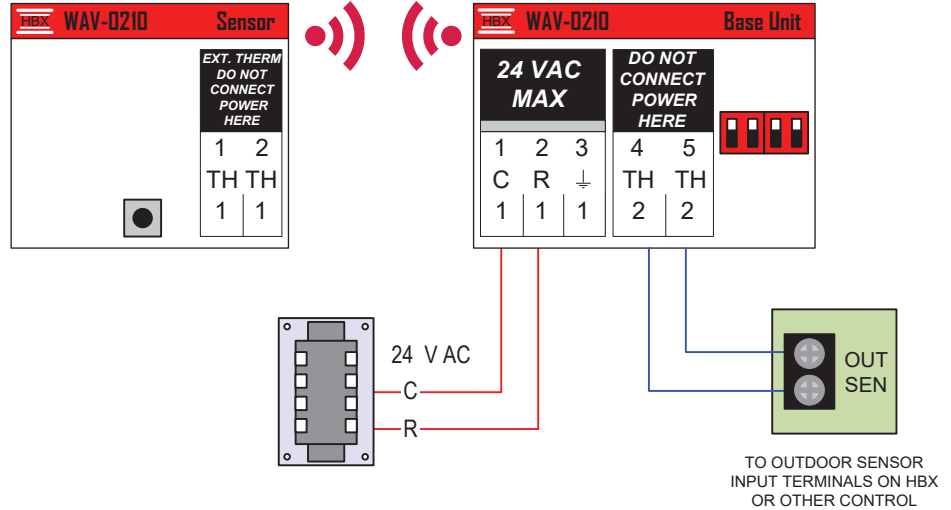
Both ON: 12k Ohms



Both OFF : 10k Ohms\*

\*Default Setting

### The WAV-0210 Works with Any Control!



### Supported Product Examples

Setting	Boiler Model	Control Model
<b>5K</b>	<ul style="list-style-type: none"> <li>Viessmann Vitodens - 100W</li> </ul>	<ul style="list-style-type: none"> <li>Heat Timer (excluding EPU-CH)</li> </ul>
<b>10K</b>	<ul style="list-style-type: none"> <li>Laars Mascot</li> <li>Laars Neotherm</li> <li>Viessmann (excluding Vitodens-100W)</li> <li>Lochinvar</li> <li>Camus</li> <li>ATH</li> <li>Navien</li> <li>Buderus GB Series</li> </ul>	<ul style="list-style-type: none"> <li>Allied SG, AAA &amp; Electric</li> <li>IBC SL, VFC</li> <li>Slant/Fin CHS</li> <li>NTI Trinity &amp; Vmax</li> <li>Raypak</li> <li>RBI</li> <li>Smith Boiler</li> </ul>
<b>12K</b>	<ul style="list-style-type: none"> <li>Peerless Purefire</li> <li>IBC DC &amp; HC Series</li> <li>Triangle Tube Prestige Solo &amp; ACVMax</li> <li>HTP Elite</li> </ul>	<ul style="list-style-type: none"> <li>Allied HSE</li> <li>Bosch Greenstar</li> <li>Weil-McLain Ultra Series 3, Evergreen &amp; 97+</li> <li>Slant/Fin Lynx</li> <li>Slant/Fin Jaguar</li> </ul>

### Contact Information

4516-112th Avenue SE  
 Calgary, Alberta T2C 2K2  
 CANADA

Phone: +1(403) 720 0029  
 Fax: +1 (403) 720 0054  
 Email: info@hbxcontrols.com